

PLATE MAGNETS

FERRITE AND RARE EARTH PERMANENT PLATE MAGNETS



Powerful, dependable magnetic protection against the dangers of fine iron and tramp iron contamination.

RARE EARTH MODELS

XRE

The ultimate Plate Magnet with a strong deep field making it ideal to install over a conveyor.

RE

For use in chutes or suspended over belt conveyors for removal of fine iron and weakly magnetic contaminants from dry and wet free-flowing product. Particularly suited to shallow burdens and for use in the food/pharmaceutical industries where product purity is paramount.

FERRITE MODELS

Superbrute

The strongest of the ferrite models for suspension over chutes and belts, suitable in particular for removal of large tramp metal contamination.

Brutepower

Designed to handle wood-chip, sugar cane and other extremely difficult tramp iron separation applications.

Maxipower

For extra heavy duty applications.

Superpower

For heavy duty applications where medium to large tramp metal contamination occurs.

FEATURES

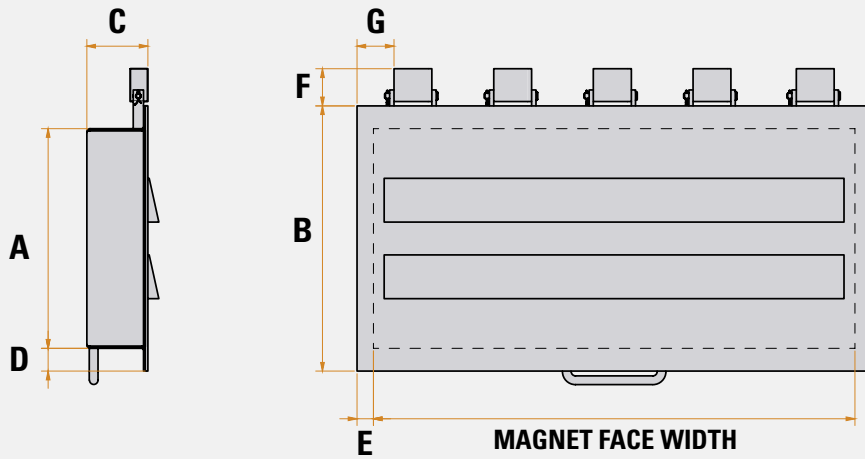
- Superior strength-to-weight ratio.
- Lifetime warranty on magnetic strength.*
- Designed for positioning in chutes, ducts, pipelines and for suspended applications.
- Choose from a complete range of five different magnet strengths.
- Greater flange offset to match thickness of heavier chutes or provide for gasketing available.
- Liquid-tight face plate.
- Stainless steel construction.
- Sanitary construction (optional).
- Stepped face plate offers a higher barrier than standard strip to retain spherical types of tramp iron once removed from direct material flow. This feature also provides superior removal and retention of fine ferrous contamination. Available in single or double step design

* Subject to the magnet being installed in accordance to the IOM



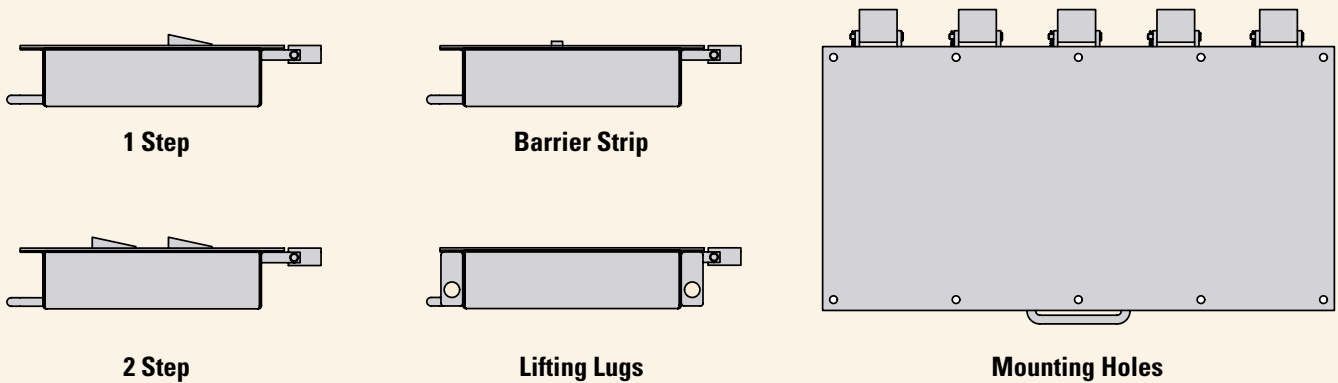
WWW.ERIEZ.EU

DIMENSIONS (mm)



Eriez Plate Magnet Dimensions (mm)						
	Ferrite				Rare Earth	
	Superpower	Maxipower	Brutepower	Superbrute	RE	XRE
A	179	255	336.5	336.5	125	125
B	232	308	436.5	436.5	178	178
C	52	71	123	161	30	55
D	26.5	26.5	50	50	26.5	26.5
E	19	19	50	50	19	19
F	43	43	43	43	43	43
G	43	43	varies	varies	43	43

OPTIONAL EXTRAS



WWW.ERIEZ.EU

ERIEZ MAGNETICS EUROPE LIMITED

European Manufacturing, Design and Test Laboratory Headquarters

Greenway, Bedwas House Industrial Estate, Bedwas, Caerphilly, CF83 8YG, UK

T: +44 (0)29 2086 8501 | F: +44 (0)29 2085 1314 | E: info-europe@eriez.com

